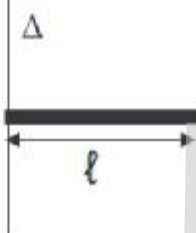
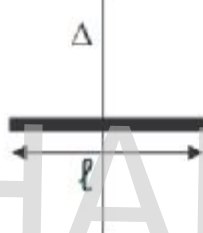
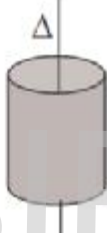
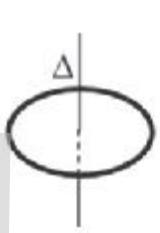
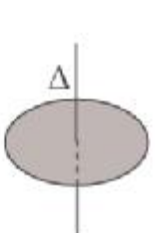
 $J_{\Delta} = \frac{2}{5} \cdot m \cdot r^2$	 $J_{\Delta} = \frac{1}{3} \cdot m \cdot \ell^2$	 $J_{\Delta} = \frac{1}{12} \cdot m \cdot \ell^2$	 $J_{\Delta} = \frac{1}{2} \cdot m \cdot r^2$	 $J_{\Delta} = m \cdot r^2$	 $J_{\Delta} = \frac{1}{2} \cdot m \cdot r^2$
---	--	---	---	---	---