

Plus petit / Plus grand

3



5



3

<

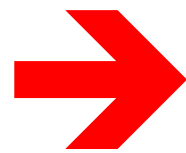
5

3 est plus petit que 5

9



2



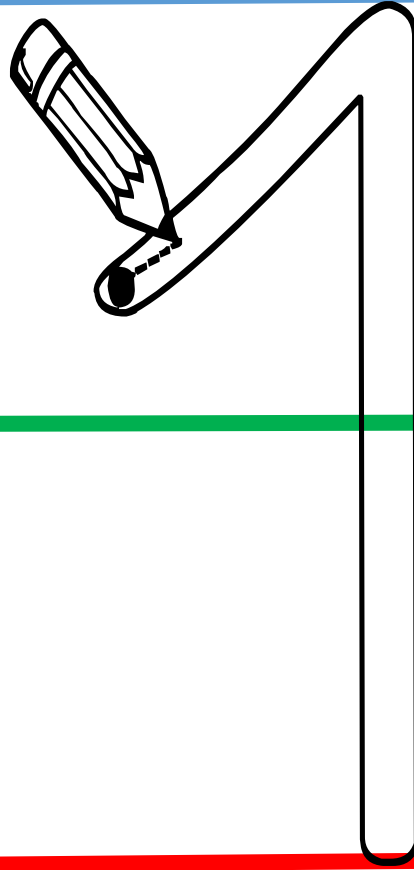
9

>

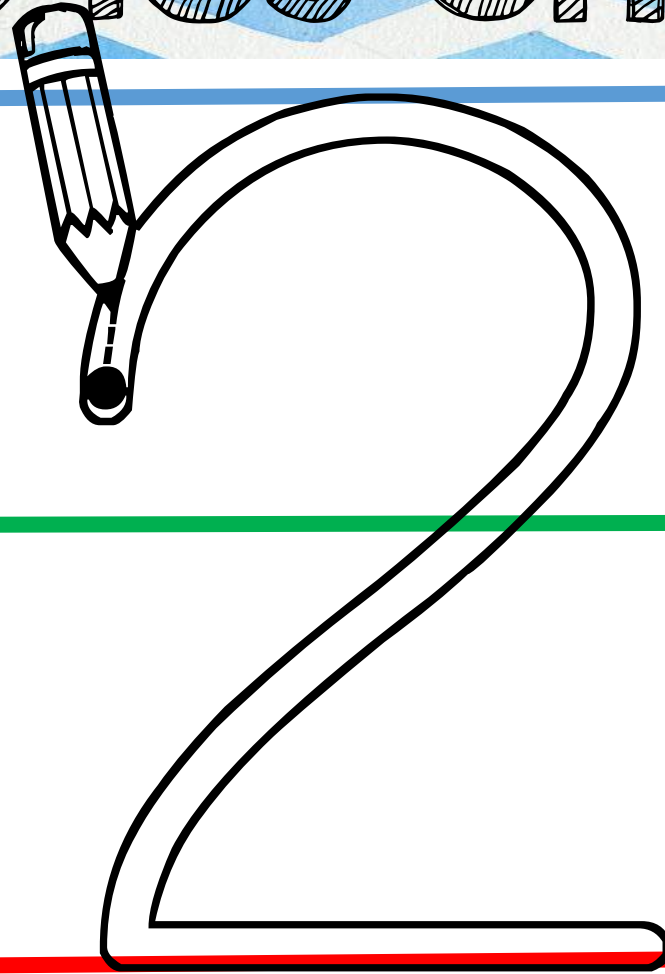
2

9 est plus grand que 2

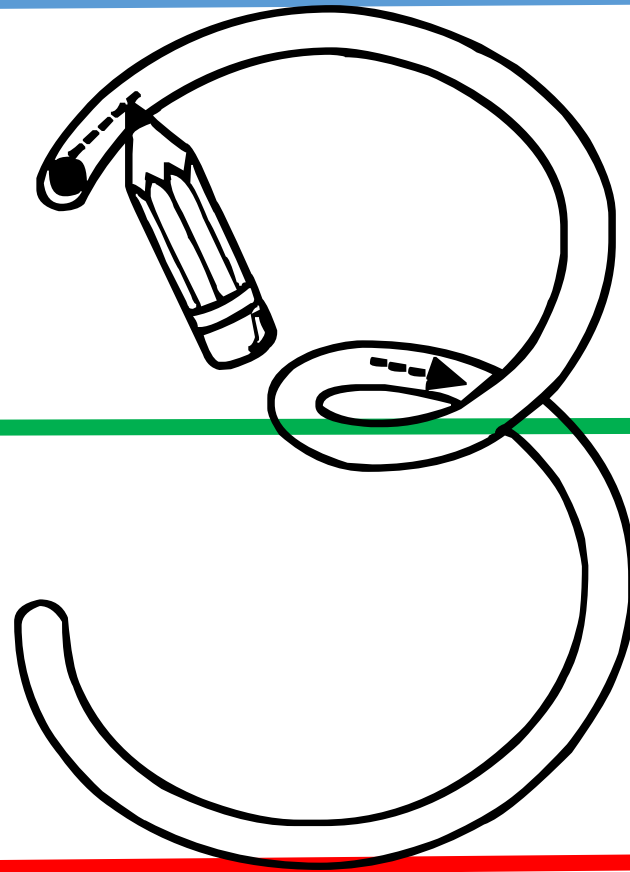
Ecrire les chiffres



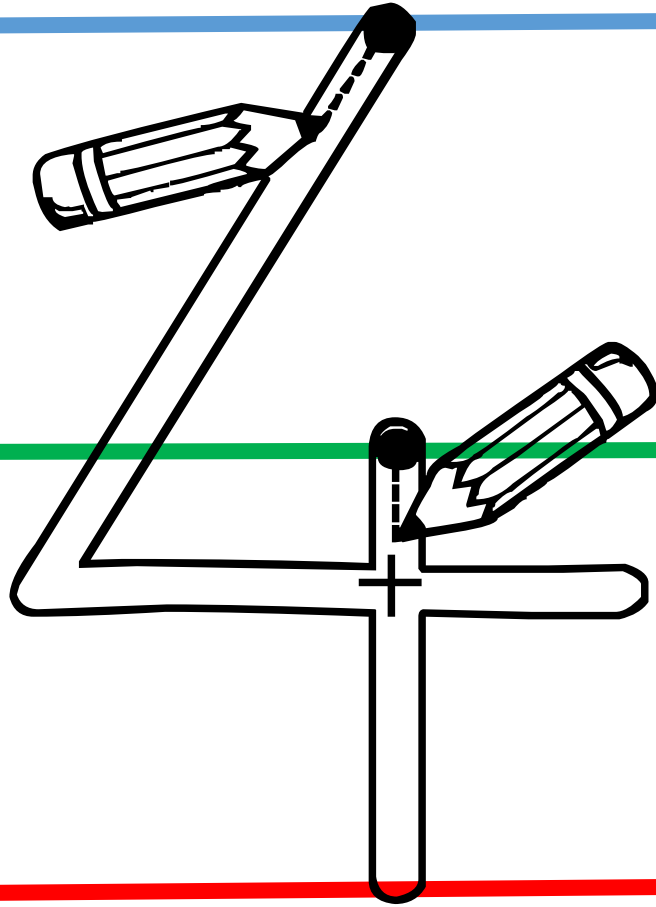
Ecrire les chiffres



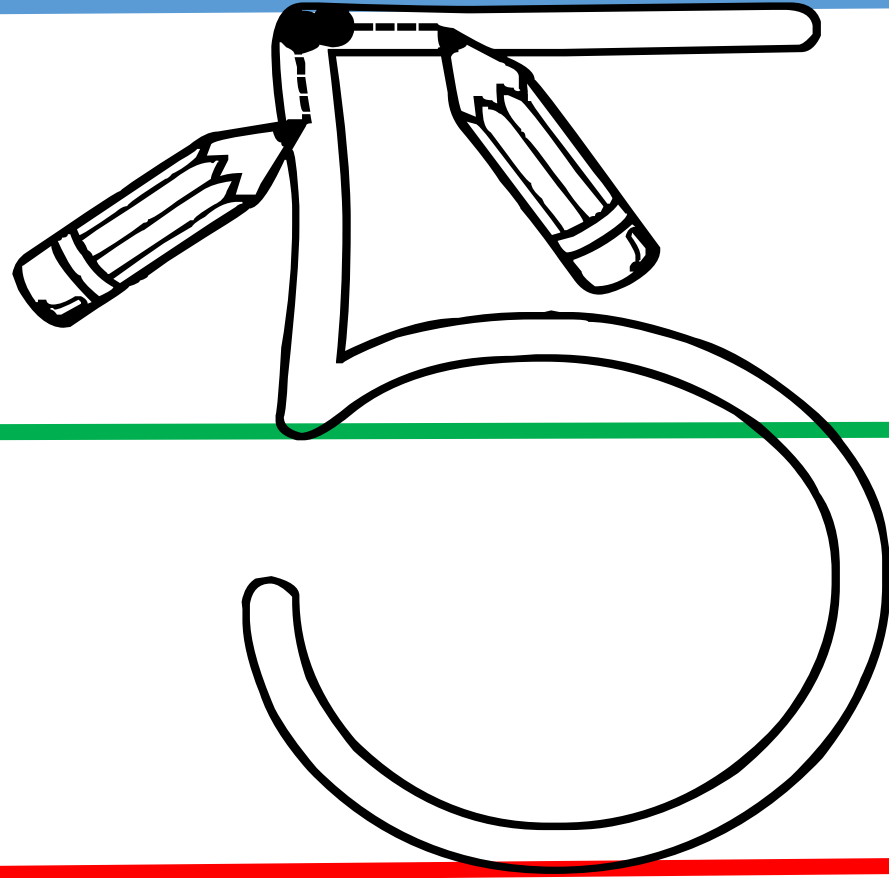
Ecrire les chiffres



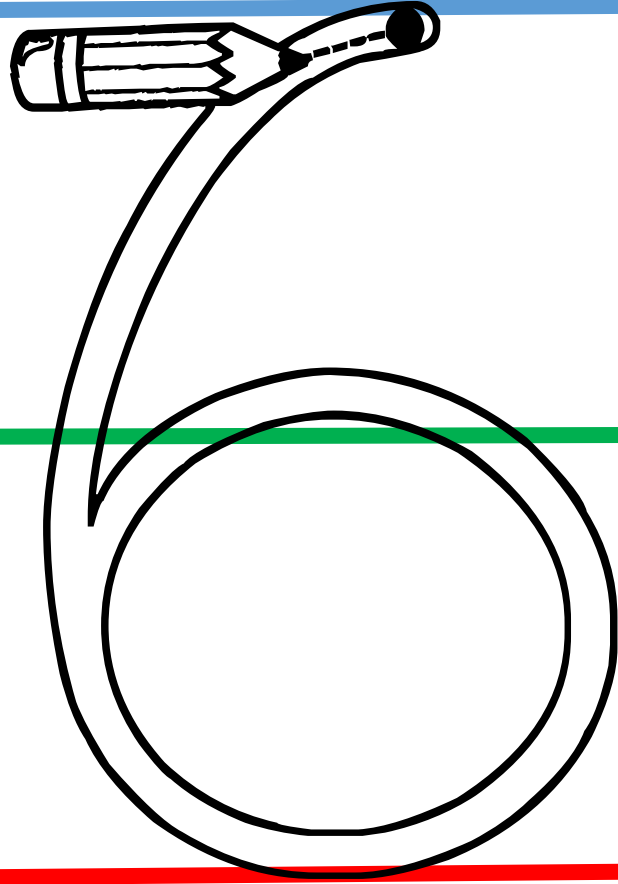
Ecrire les chiffres



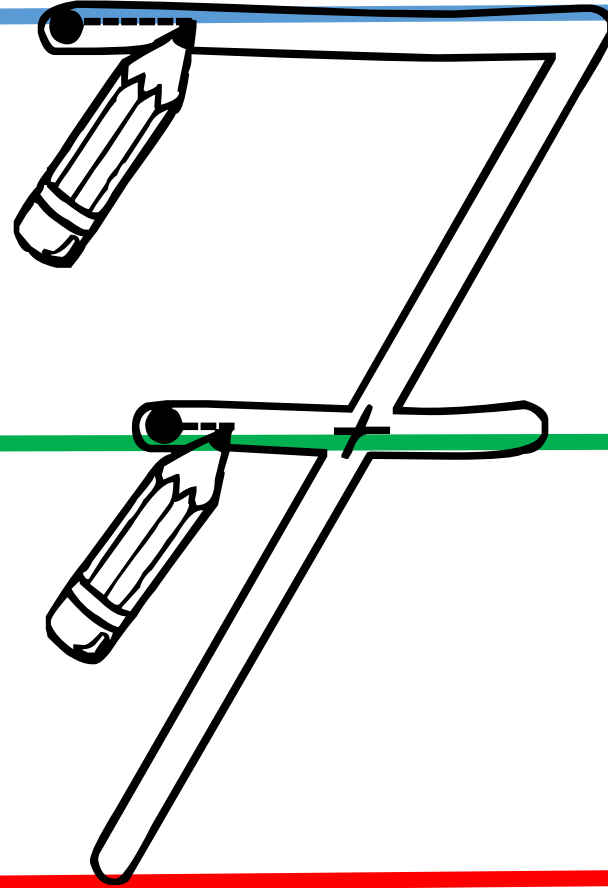
Ecrire les chiffres



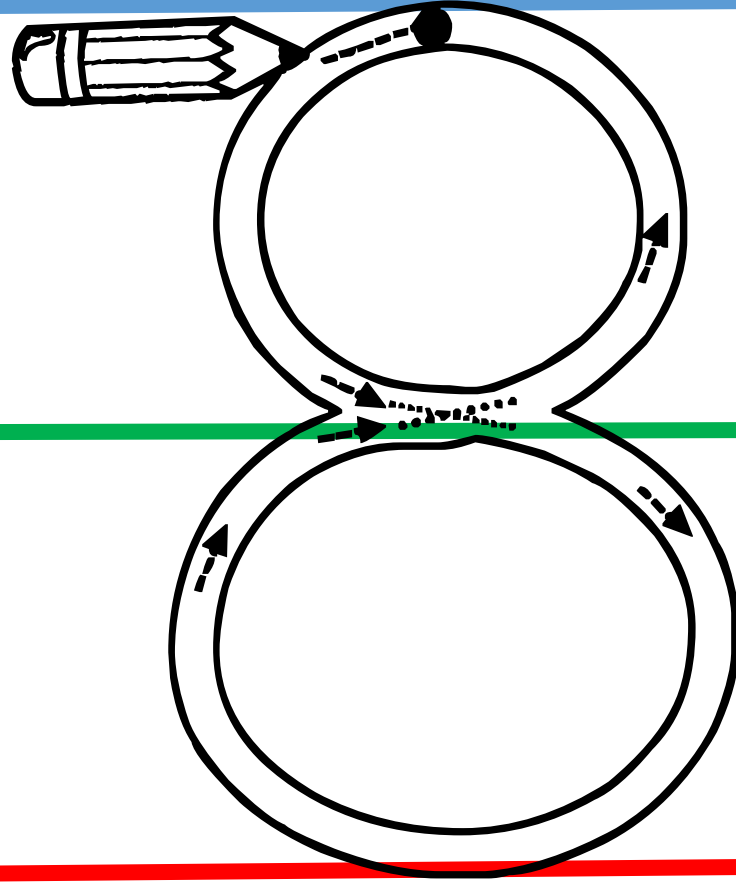
Ecrire les chiffres



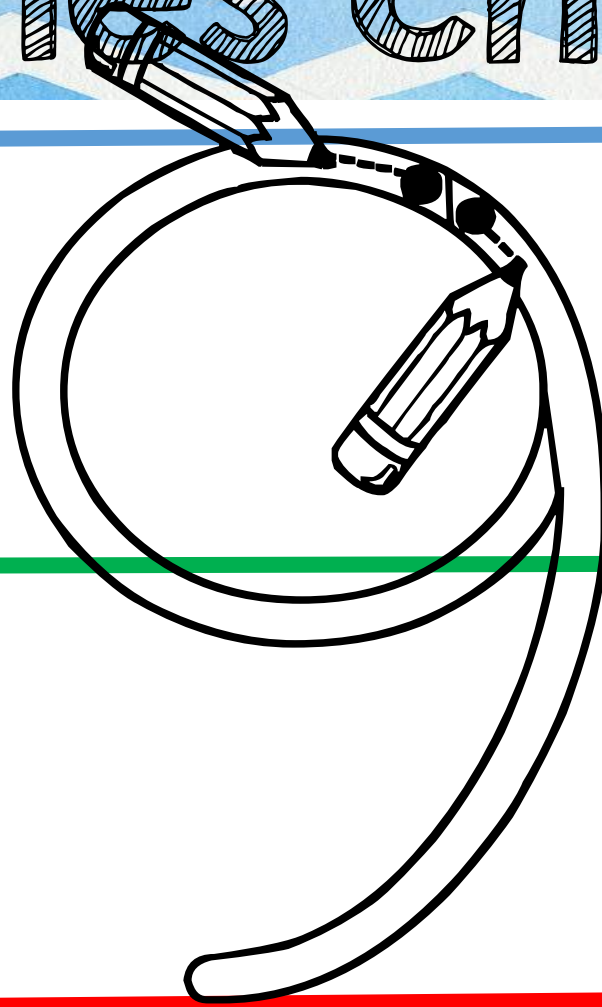
Ecrire les chiffres



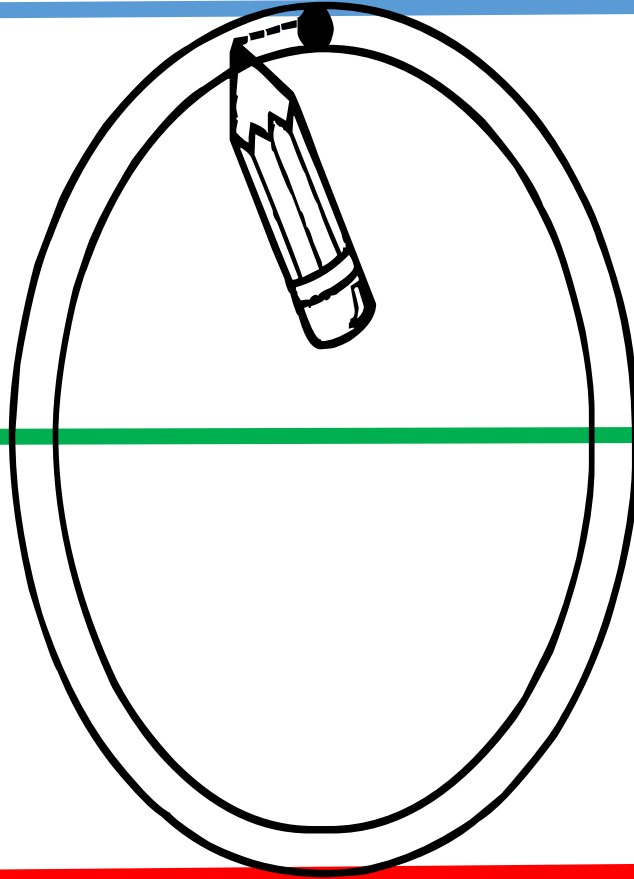
Ecrire les chiffres



Ecrire les chiffres



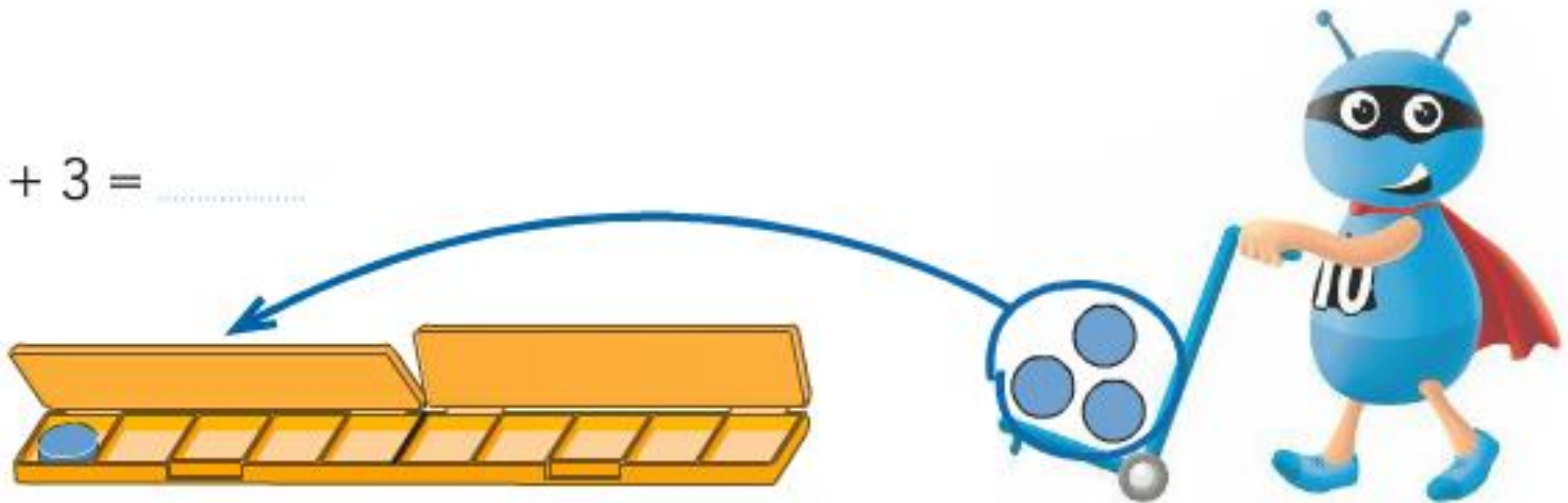
Ecrire les chiffres



L'addition



$1 + 3 = \dots\dots\dots$

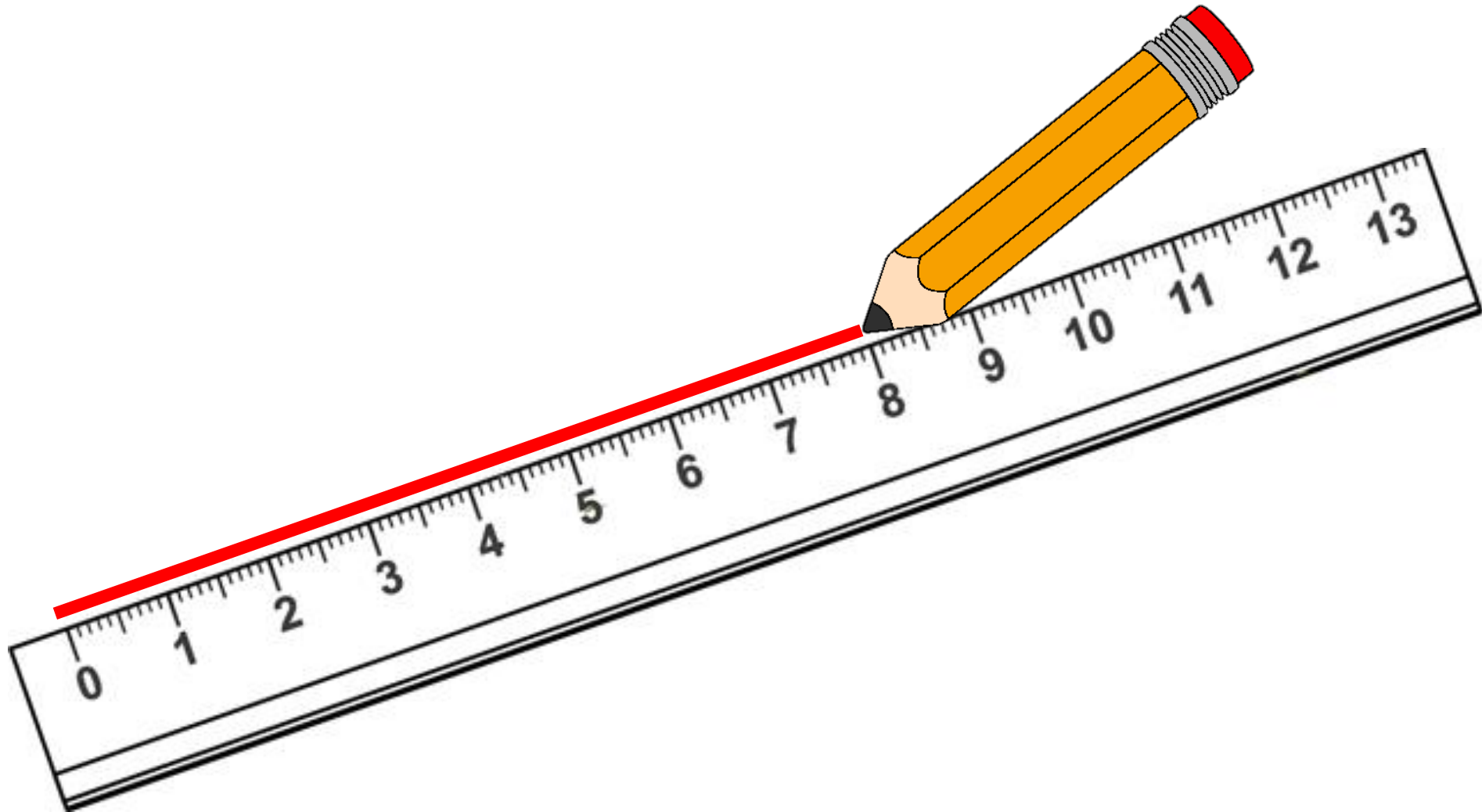


$1 + 3 = 4$

Gauche / Droite



Tracer à la règle



Le sens

HORIZONTAL

VERTICAL

La monnaie



10 €



5 €



2 €



1 €

Addition : + 1

$$1 + 1 = \dots$$

$$2 + 1 = \dots$$

$$3 + 1 = \dots$$

$$4 + 1 = \dots$$

$$5 + 1 = \dots$$

$$6 + 1 = \dots$$

$$7 + 1 = \dots$$

$$8 + 1 = \dots$$

$$9 + 1 = \dots$$

$$10 + 1 = \dots$$

Addition : + 2

$$1 + 2 = \dots$$

$$2 + 2 = \dots$$

$$3 + 2 = \dots$$

$$4 + 2 = \dots$$

$$5 + 2 = \dots$$

$$6 + 2 = \dots$$

$$7 + 2 = \dots$$

$$8 + 2 = \dots$$

$$9 + 2 = \dots$$

$$10 + 2 = \dots$$

Addition : + 3

$$1 + 3 = \dots$$

$$2 + 3 = \dots$$

$$3 + 3 = \dots$$

$$4 + 3 = \dots$$

$$5 + 3 = \dots$$

$$6 + 3 = \dots$$

$$7 + 3 = \dots$$

$$8 + 3 = \dots$$

$$9 + 3 = \dots$$

$$10 + 3 = \dots$$

Addition : + 4

$$1 + 4 = \dots$$

$$2 + 4 = \dots$$

$$3 + 4 = \dots$$

$$4 + 4 = \dots$$

$$5 + 4 = \dots$$

$$6 + 4 = \dots$$

$$7 + 4 = \dots$$

$$8 + 4 = \dots$$

$$9 + 4 = \dots$$

$$10 + 4 = \dots$$

Addition : + 5

$$1 + 5 = \dots$$

$$2 + 5 = \dots$$

$$3 + 5 = \dots$$

$$4 + 5 = \dots$$

$$5 + 5 = \dots$$

$$6 + 5 = \dots$$

$$7 + 5 = \dots$$

$$8 + 5 = \dots$$

$$9 + 5 = \dots$$

$$10 + 5 = \dots$$

Addition : + 6

$$1 + 6 = \dots$$

$$2 + 6 = \dots$$

$$3 + 6 = \dots$$

$$4 + 6 = \dots$$

$$5 + 6 = \dots$$

$$6 + 6 = \dots$$

$$7 + 6 = \dots$$

$$8 + 6 = \dots$$

$$9 + 6 = \dots$$

$$10 + 6 = \dots$$

Addition : + 7

$$1 + 7 = \dots$$

$$2 + 7 = \dots$$

$$3 + 7 = \dots$$

$$4 + 7 = \dots$$

$$5 + 7 = \dots$$

$$6 + 7 = \dots$$

$$7 + 7 = \dots$$

$$8 + 7 = \dots$$

$$9 + 7 = \dots$$

$$10 + 7 = \dots$$

Addition : + 8

$$1 + 8 = \dots$$

$$2 + 8 = \dots$$

$$3 + 8 = \dots$$

$$4 + 8 = \dots$$

$$5 + 8 = \dots$$

$$6 + 8 = \dots$$

$$7 + 8 = \dots$$

$$8 + 8 = \dots$$

$$9 + 8 = \dots$$

$$10 + 8 = \dots$$

Addition : + 9

$$1 + 9 = \dots$$

$$2 + 9 = \dots$$

$$3 + 9 = \dots$$

$$4 + 9 = \dots$$

$$5 + 9 = \dots$$

$$6 + 9 = \dots$$

$$7 + 9 = \dots$$

$$8 + 9 = \dots$$

$$9 + 9 = \dots$$

$$10 + 9 = \dots$$

Le triangle

Figure géométrique



3 côtés

Triangles
différents

