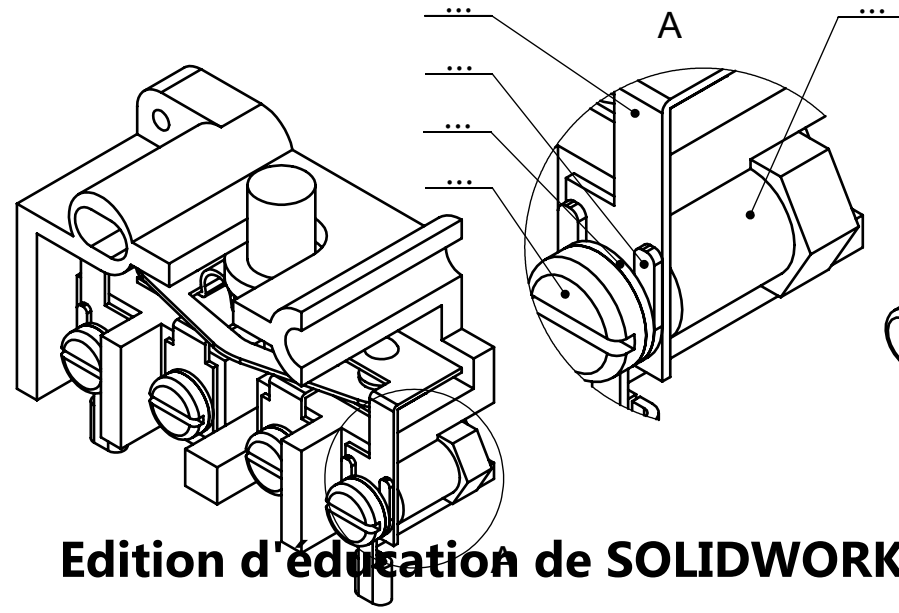
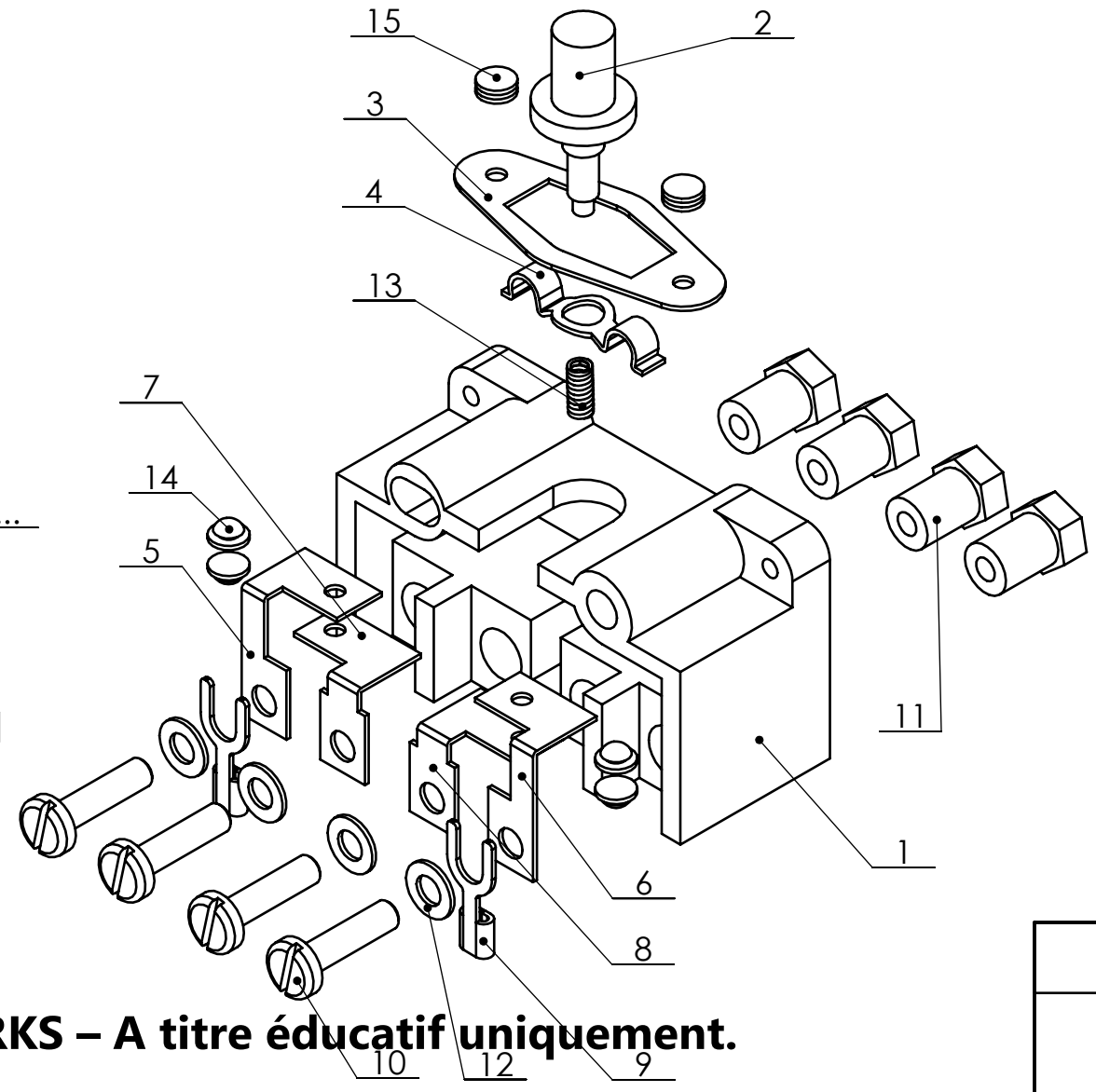
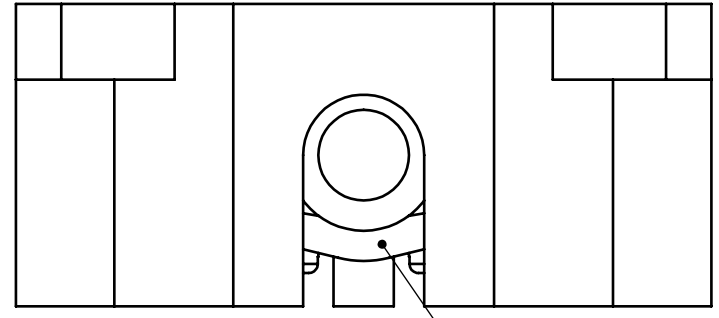
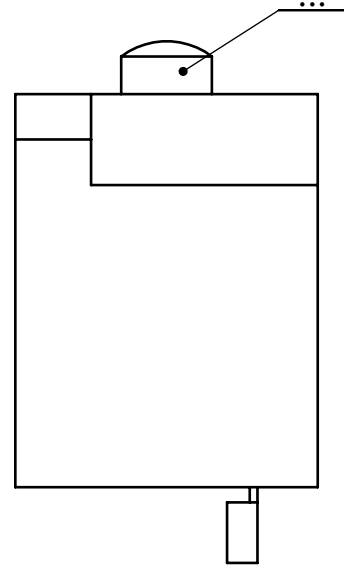
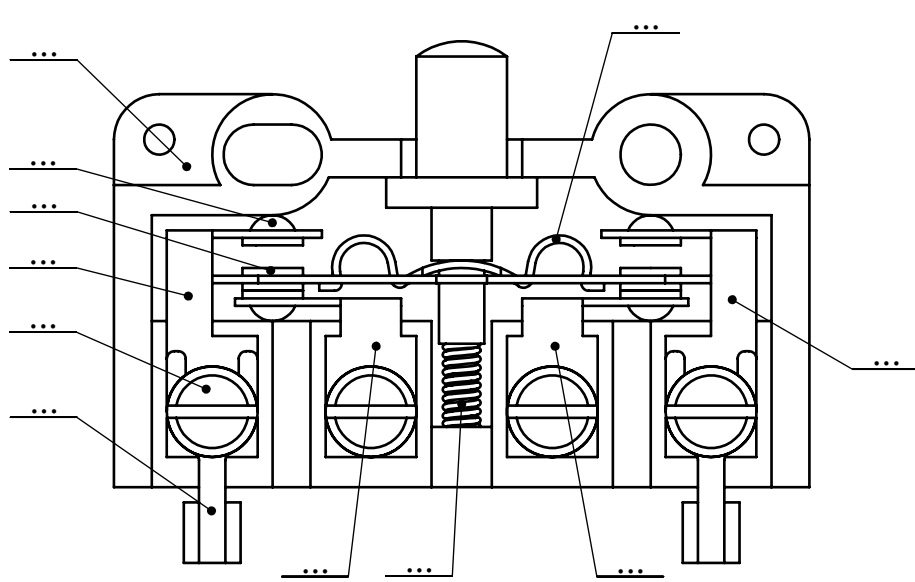


NOM: .....  
 Prénom: .....  
 Classe: .....



|    |     |                   |                 |
|----|-----|-------------------|-----------------|
| 15 | ... | Contact mobile    | Cuivre désoxydé |
| 14 | ... | Contact           | Cuivre désoxydé |
| 13 | ... | Ressort D2.5x0.4  | Acier           |
| 12 | ... | Rondelle D3       | Acier           |
| 11 | ... | Ecrou             | Cu Zn 39        |
| 10 | ... | Vis CLS M3x12     | Cu Zn 39        |
| 9  | ... | .....             | Cu Zn 39        |
| 8  | ... | Support contact c | Cuivre          |
| 7  | ... | Support contact b | Cuivre          |
| 6  | ... | Support contact d | Cuivre          |
| 5  | ... | Support contact a | Cuivre          |
| 4  | ... | .....             | Cuivre          |
| 3  | ... | .....             | Cuivre          |
| 2  | ... | .....             | Bakélite        |
| 1  | ... | .....             | Bakélite        |

| Rep Nb | Désignation | Matière |
|--------|-------------|---------|
|--------|-------------|---------|

|                          |  |              |
|--------------------------|--|--------------|
| L.P. Alfred Costes 93000 |  | Echelle..... |
|--------------------------|--|--------------|

|               |          |
|---------------|----------|
| MICRO CONTACT |          |
|               | Annexe 1 |

Edition d'éducation de SOLIDWORKS – A titre éducatif uniquement.