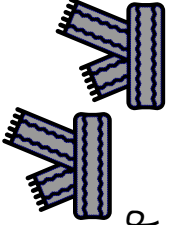


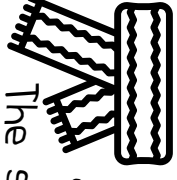
The scarves are dark grey.



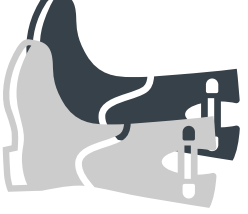
dark grey scarves

& : and light: clair  
dark: foncé


a white scarf  
The scarf is white.



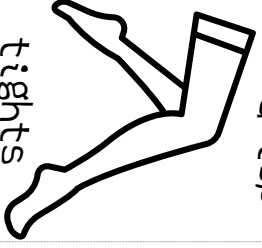
boots



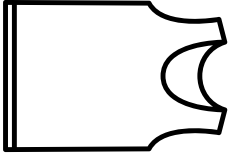
shoes




tights




a top



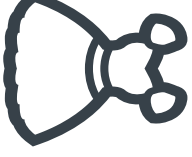
socks



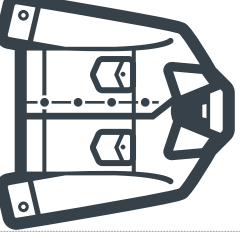
a skirt



a dress

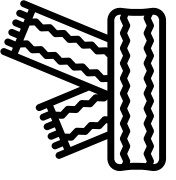


a jacket




... is ... :  
... are ... :  
... est ... :


a scarf



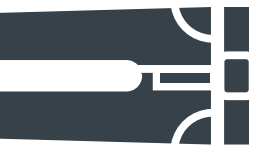
a T-shirt



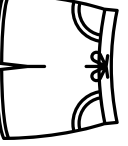
a belt




trousers




shorts




a shirt




gloves




a mitten




a zipper



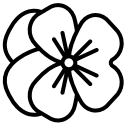
mittens




zippers




a flower




hair clips




glasses




a cap




a helmet



a hat




hats




My little book of clothes

name: \_\_\_\_\_


short hair




long hair



a bracelet



a watch



a necklace

