

Cal. NH25A

27.40 mm

(29.255 mm with Dial Holding Spacer)

H 5.32 mm

Item	Version No.
Specification	Version 1
Appearance - 1	Version 1
Appearance - 2	Version 1
Casing	Version 1
Hand Fitting	Version 1
Hand Setting Stem	Version 1
Dial	Version 1
Assembly Plan	Version 1
Hands	Version 1



MOVEMENT SPECIFICATION

CAL.NH25A 12 Ligne Mechanical Movement Three Hands with Date

1. MOVEMENT DIMENSIONS

- Outside diameter 27.40 mm
- Casing diameter 29.255 mm (with dial holding spacer)
- Total height 5.32 mm

2. BASIC FUNCTIONS

- Winding mechanism Automatic winding with ball bearing
Both winding with one way clutch
- Calendar Date display with quick date correction
- Shock resistance Shock-absorber device for balance staff
- Jewels 21 jewels
- Regulation hands unbalance
Second : Less than 0.20 $\mu\text{N}\cdot\text{m}$ (20 mg $\cdot\text{mm}$)
Minute : Less than 1.25 $\mu\text{N}\cdot\text{m}$ (125 mg $\cdot\text{mm}$)
Hour : Less than 1.50 $\mu\text{N}\cdot\text{m}$ (150 mg $\cdot\text{mm}$)
- Antimagnetic
DC : 4800 A / m
AC : 1600 A / m

3. TIME PERFORMANCE

- Accuracy -25 ~ +35 second per day
at normal temperature range
- Vibration frequency 21,600 vibrations per hour
- Duration time More than 41 hours

4. HANDLING AND CORRECTIONS

- 1) Crown at normal position Free
- 2) Crown pulled out to 1st click
Clockwise : Quick date correction
Counterclockwise : Free
- 3) Crown pulled out to 2nd click Time setting

5. DIAL FIXED METHOD

The dial is fixed by two dial leg holes of dial holding spacer

6. FITTING FORCE FOR HANDS

- Second hand : Less than 30 N
- Minute hand : Less than 50 N
- Hour hand : Less than 50 N

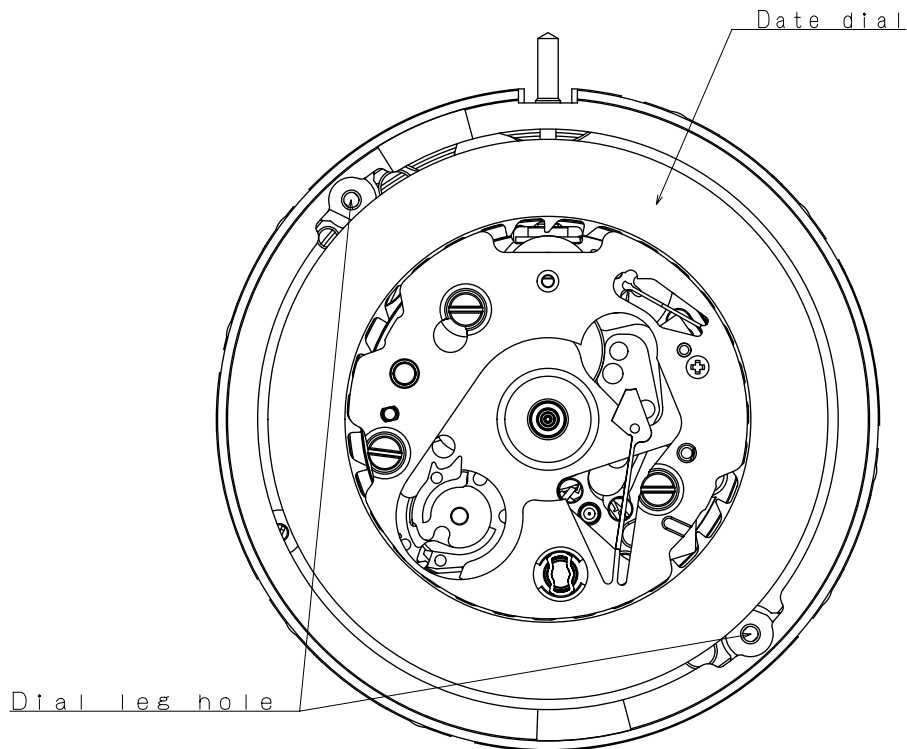
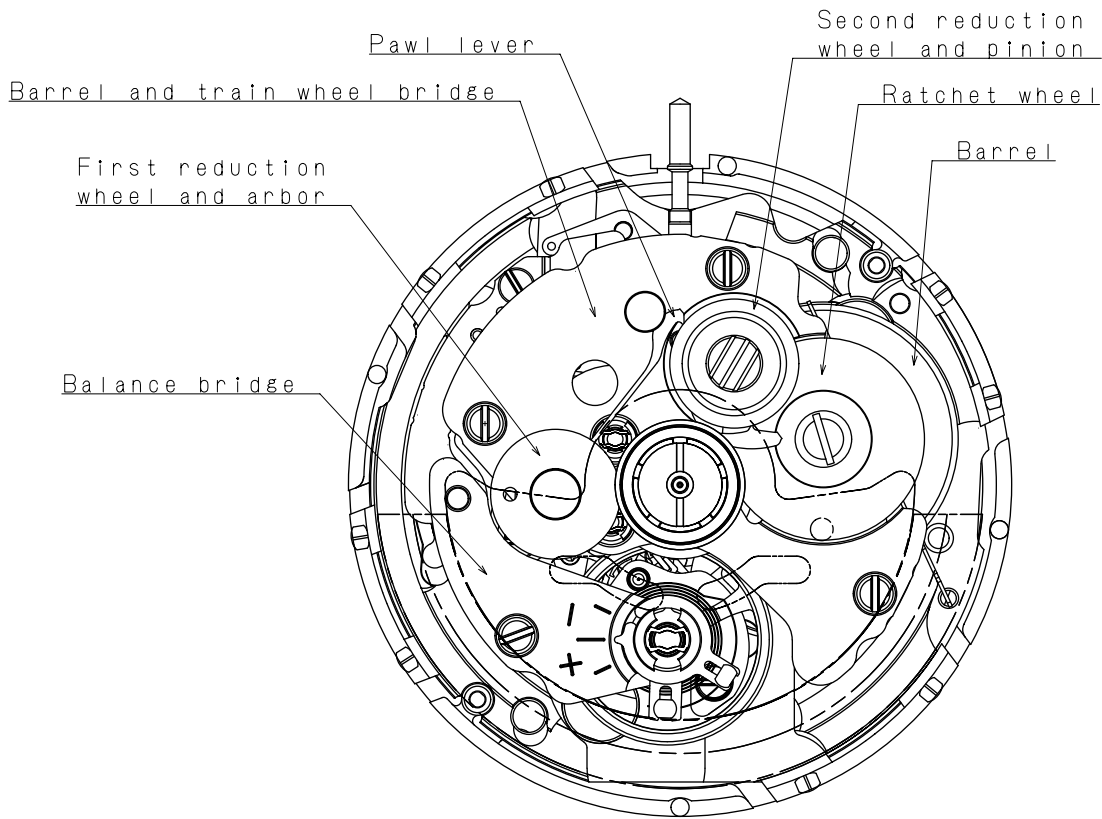
7. CASING

- The movement is fixed by dial holding spacer
- *1. Screw type case back is required
 - *2. Non-corresponding with Diver's watch

8. TEST OF ACCURACY

- Equipment to be used Witschi WATCH EXPERT
- Duration of measurement 20 seconds

*** All specifications are subject to change without notice.**



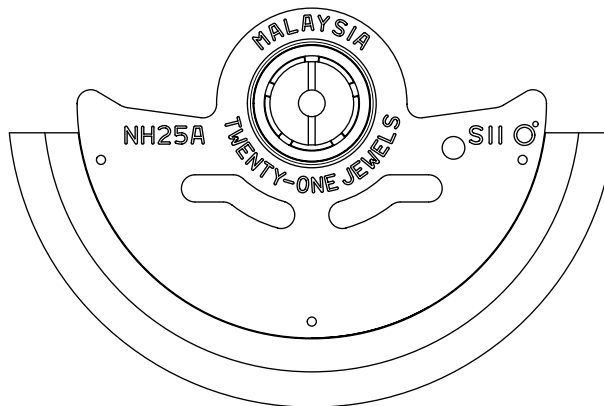
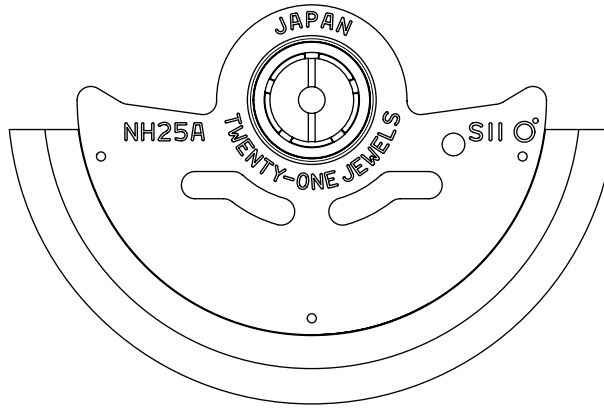
Scale : 3/1

Version : 1

Unit : 1=1/100mm

Oscillating weight

Marking	Country of origin
JAPAN	JAPAN
MALAYSIA	MALAYSIA



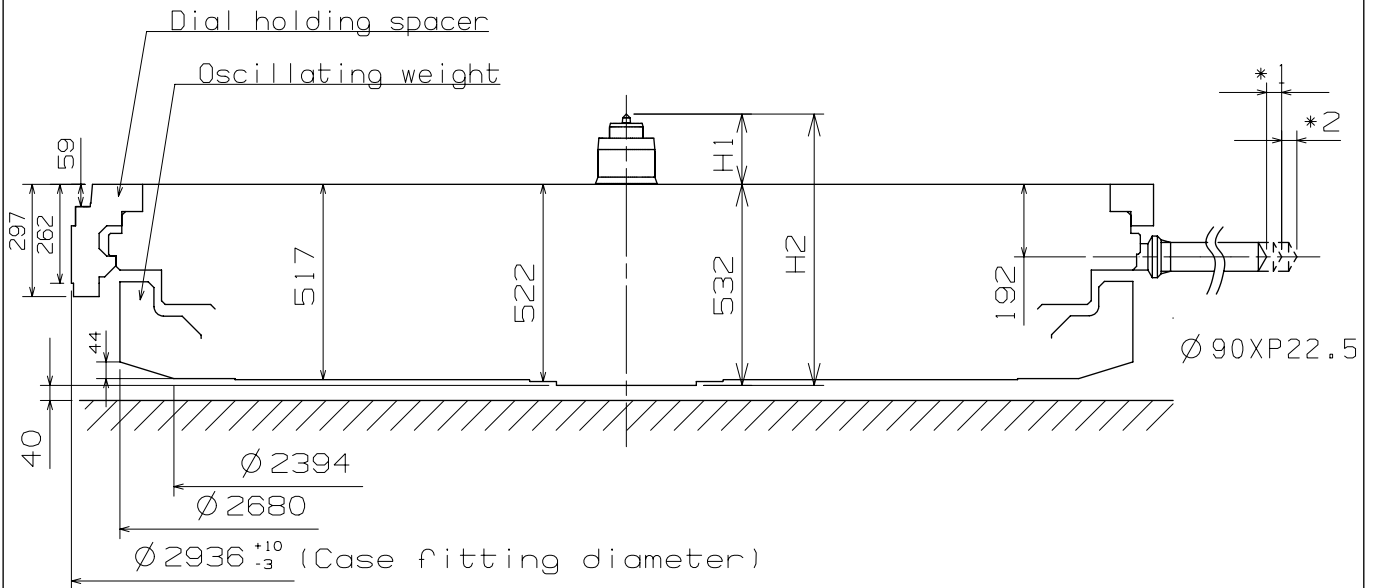
Scale : 3/1
Unit : 1=1/100mm

Version : 1

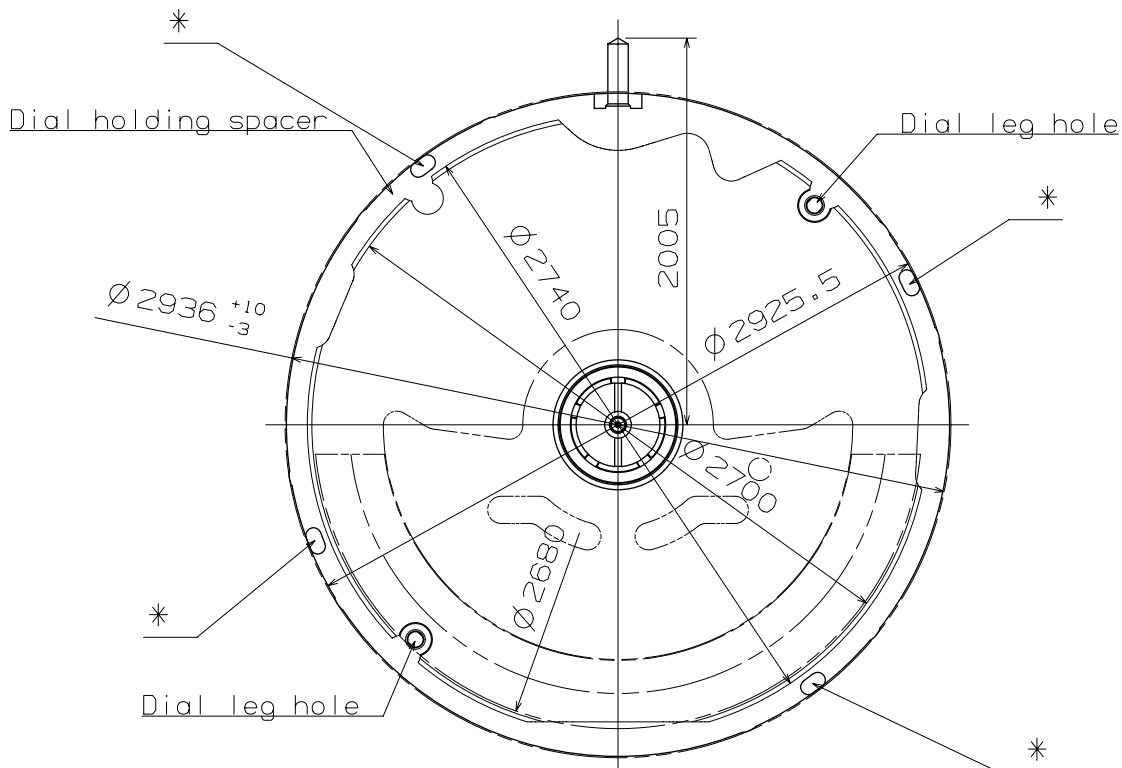
Casing

Cal. NH25A

- *1. First pull out stroke 40.0
- *2. Second pull out stroke 40.0



Center post		Type M
Maximum height from dial support surface	H1	190.7
Total height incl. movement	H2	722.7



*Projection to fix movement to case.

Scale : 5/1(3/1)
Unit : 1=1/100mm

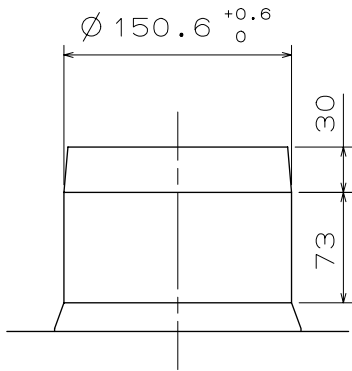
Version:1

Hand fitting

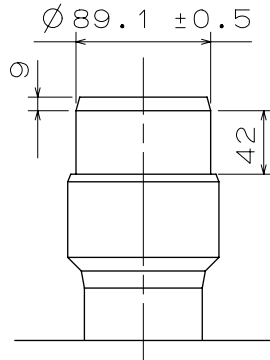
Cal. NH25A

Hour hand unbalance $\leq 1.5\mu\text{N}\cdot\text{m}$ (150mg·mm)
 Minute hand unbalance $\leq 1.25\mu\text{N}\cdot\text{m}$ (125mg·mm)
 Second hand unbalance $\leq 0.2\mu\text{N}\cdot\text{m}$ (20mg·mm)

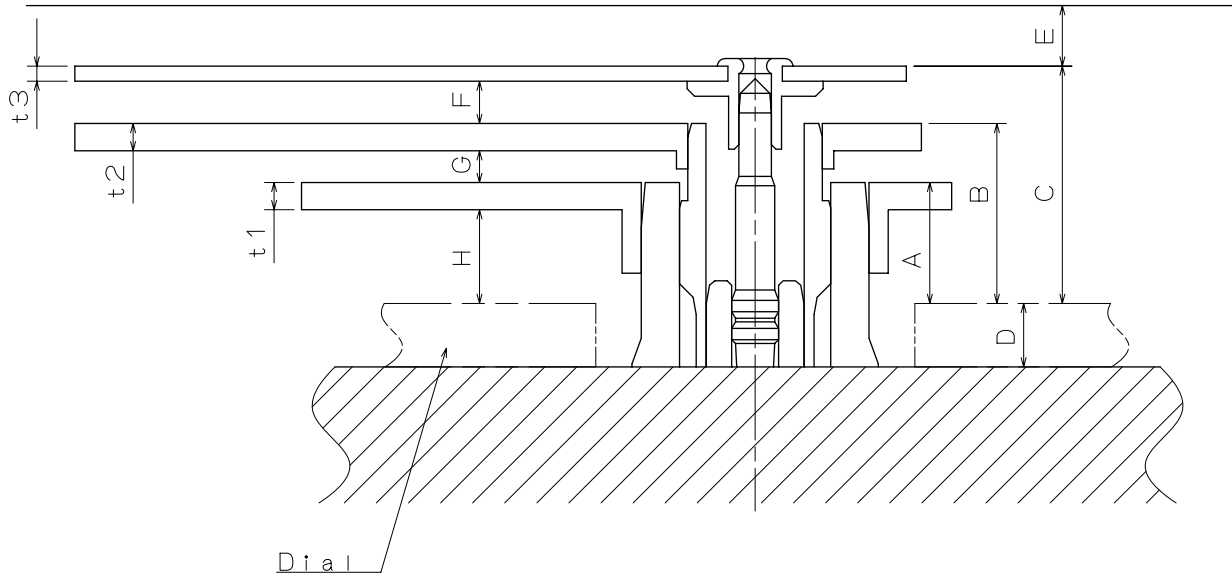
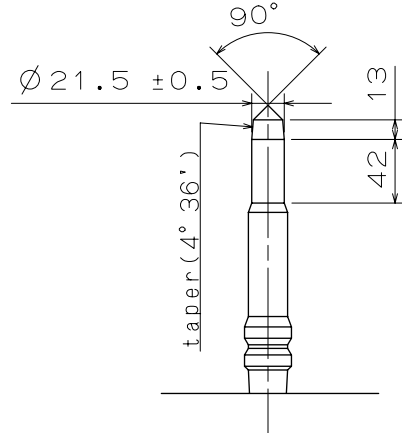
HOURLY HAND FITTING
 Hour wheel: 0271 483



MINUTE HAND FITTING
 Cannon pinion: 0225 005



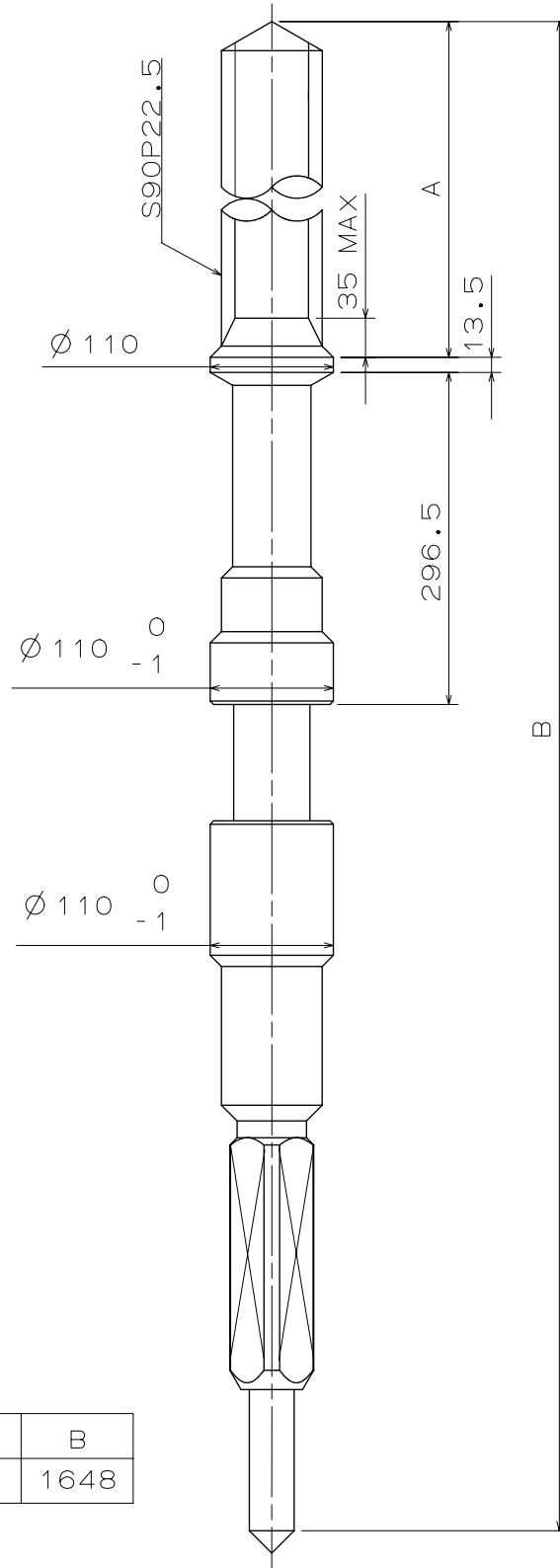
SECOND HAND FITTING
 Fourth wheel
 and pinion: 0241 010



	A	B	C	D	E	F	G	H	t1	t2	t3
TYPE M	78	118	155	40	45	27	22	60	18	18	10

Scale : 20/1
 Unit : 1=1/100mm

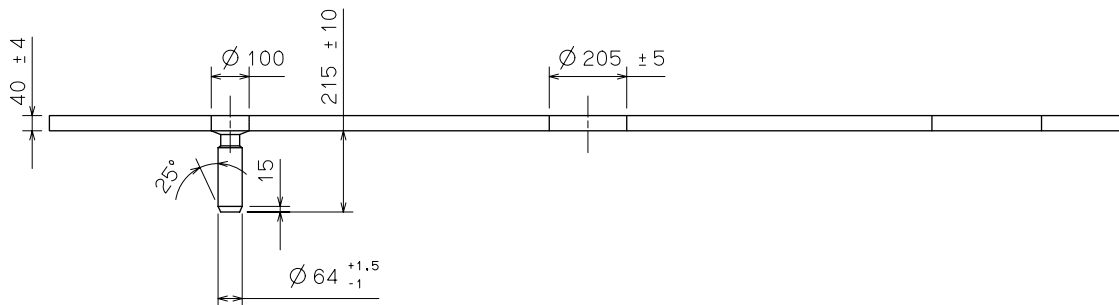
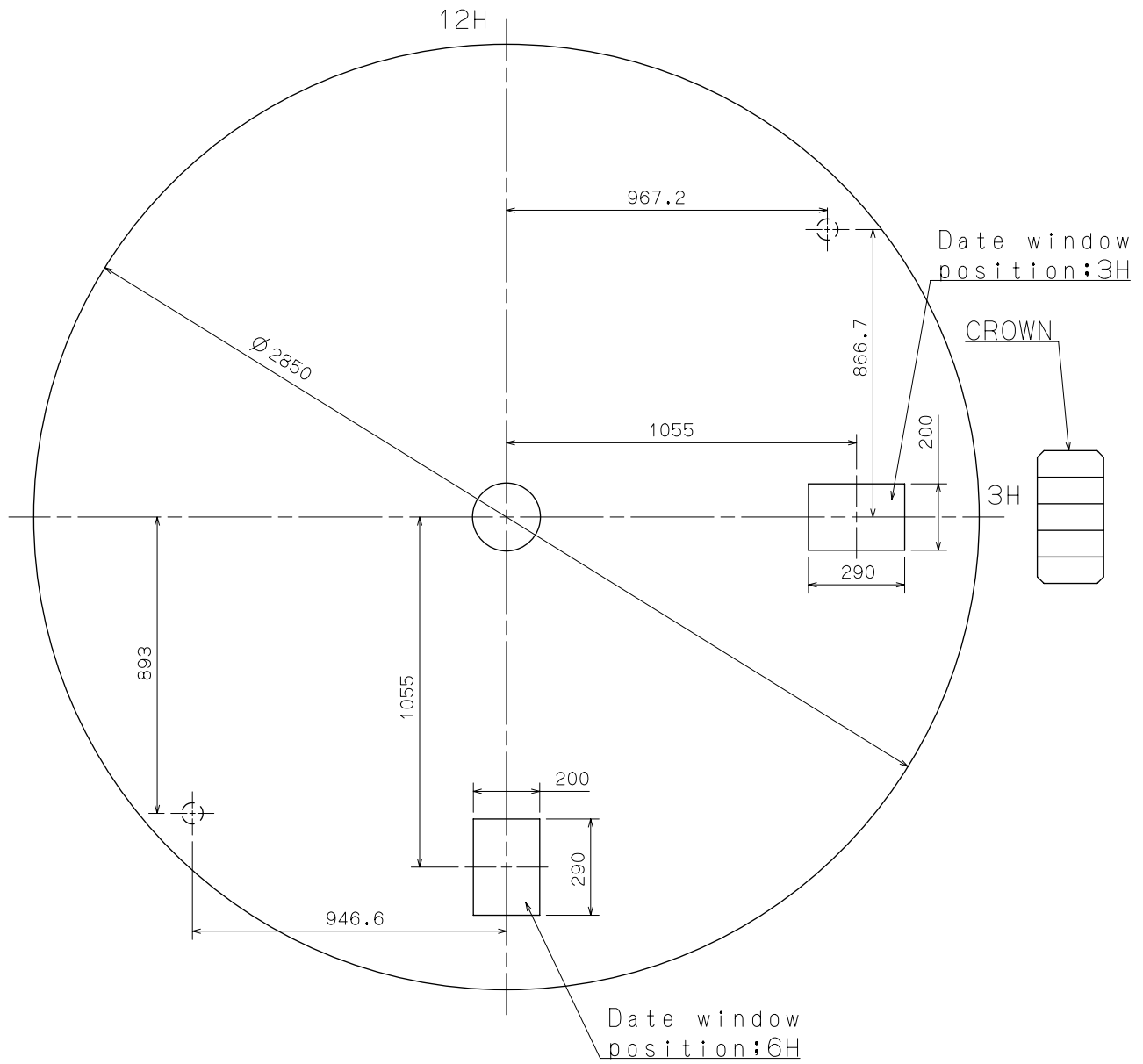
Version : 1



Parts No.	A	B
0351 261	600	1648

Scale : 15/1
Unit : 1=1/100mm

Version : 1

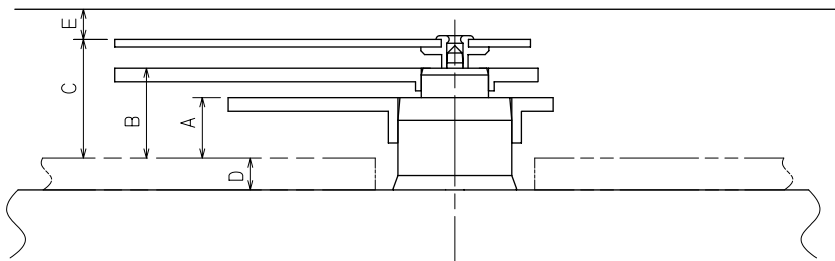
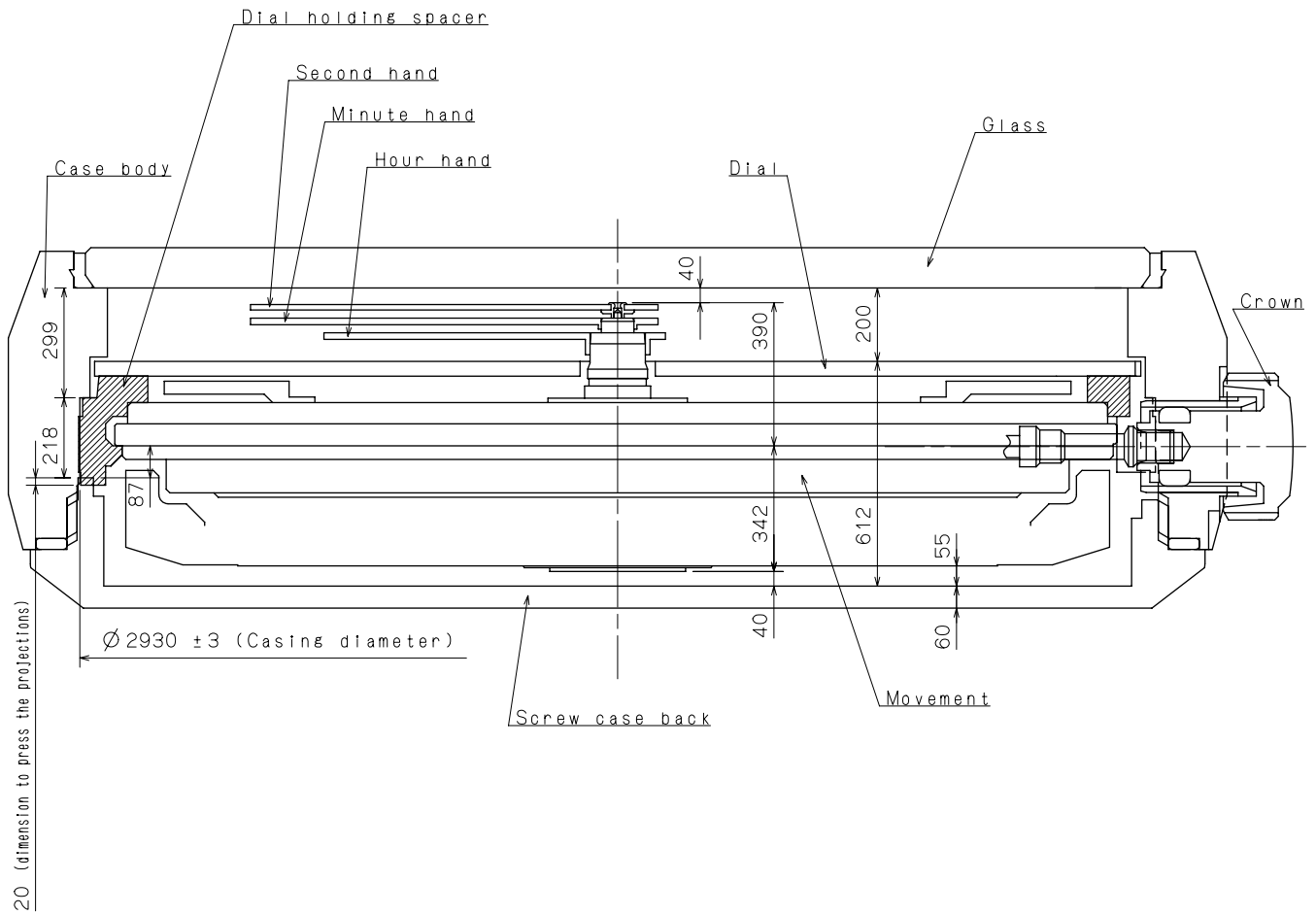


Scale : 5/1
Unit : 1=1/100mm

Version : 1

Assembly plan

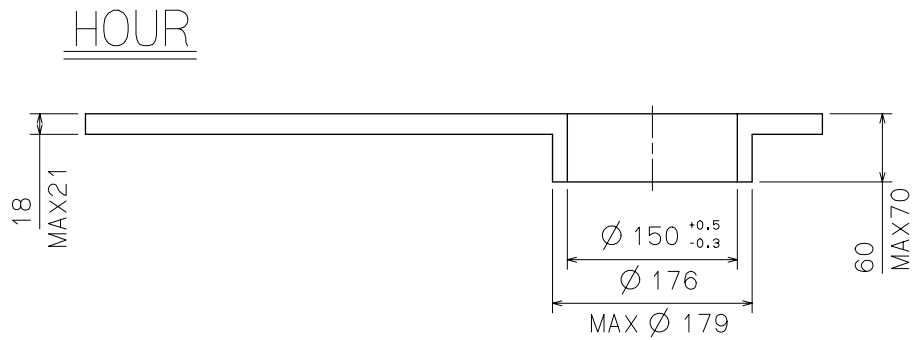
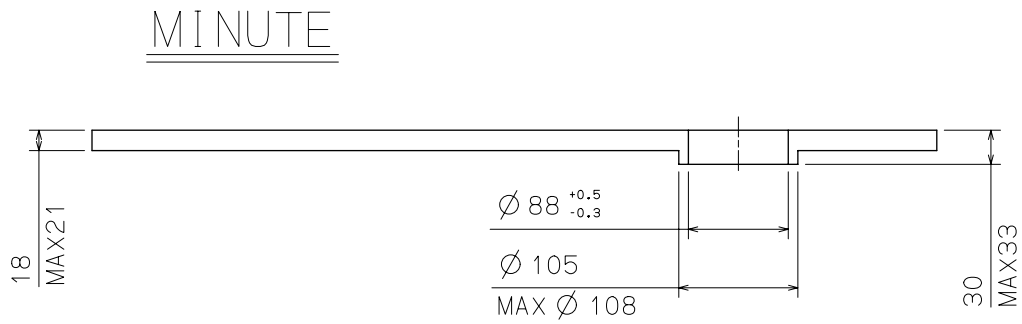
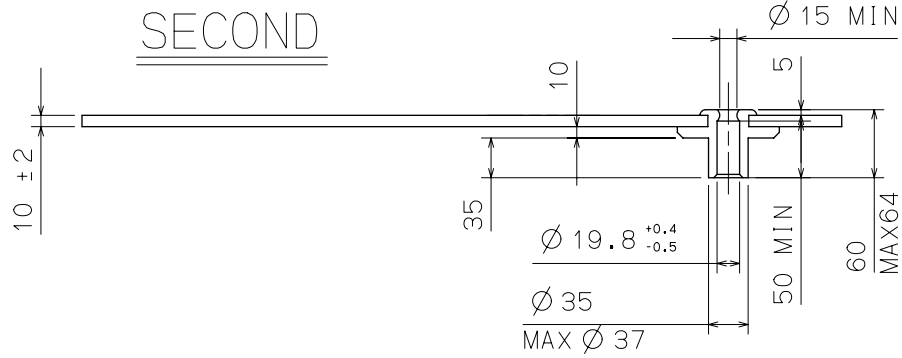
Cal. NH25A



TYPE M	A	B	C	D	E
	78	118	155	40	45

Scale : -
Unit : 1=1/100mm

Version : 1



Scale : -

Unit : 1=1/100mm

Version : 1